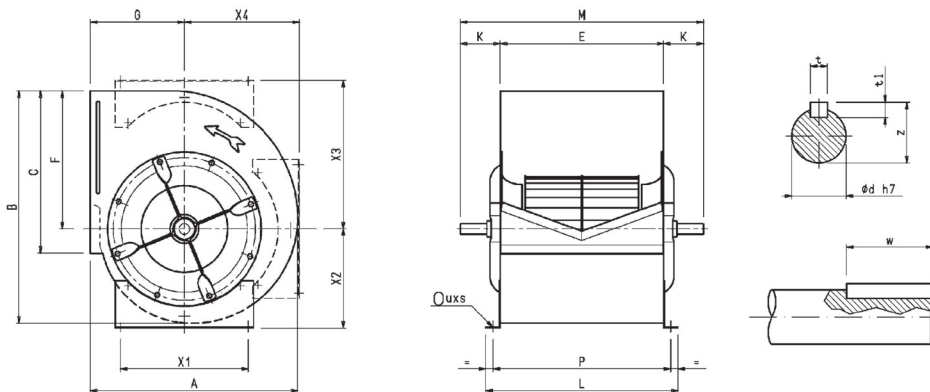


## CENTRIFUGAL FANS FORWARD BLADE

**ADH-L SERIES****NICOTRA** | Gebhardt*Straight cut off*

MOD.	A	B	C	E	F	G	L	M	P	K	X1	X2	X3	X4	T	T1	W	Z	Ø	UXS	CODE
160	282	293	205	205	172	140	265	345	235	70	180	150	204	150	6	6	30	22.5	20	11X16	0402500
180	313	329	229	229	193	153	289	370	259	71	180	164	224	164	6	6	30	22.5	20	11X16	0402501
200	343	364	256	256	215	164	316	420	286	82	224	181	245	184	6	6	30	22.5	20	11X16	0402502
225	381	409	288	288	243	180	348	450	318	81	224	197	274	204	6	6	30	22.5	20	11X16	0402503
250	417	453	322	322	270	195	382	485	352	82	224	210	299	227	6	6	30	22.5	20	11X16	0402504
280	464	508	361	361	302	215	421	555	391	97	280	236	331	255	8	7	40	28	25	11X16	0402505
315	516	572	404	404	340	236	464	600	434	98	280	261	370	283	8	7	40	28	25	11X16	0402506
355	576	645	453	453	383	261	533	675	493	111	355	274	411	320	8	7	40	33	30	11X16	0402507
400	645	725	507	507	432	290	587	725	547	109	355	302	462	359	8	7	40	33	30	11X16	0402508
450	722	817	569	569	486	322	665	815	619	123	530	336	518	407	10	8	50	38	35	13X18	0402509
500	795	906	638	638	538	352	734	885	688	124	530	375	568	448	10	8	50	38	35	13X18	0402510
560	886	1016	715	715	603	390	811	1000	765	143	530	416	634	502	12	8	70	43	40	13X18	0402511

Basement support not included, can be supplied by request

DESCRIPTION:  
Forward blade centrifugal fan.

USES:  
Spare for air treatment units, spray-painting cabins, evaporator sections.