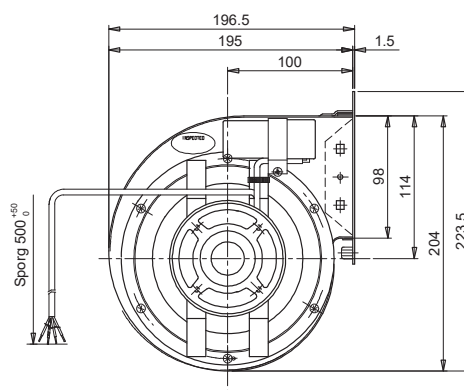
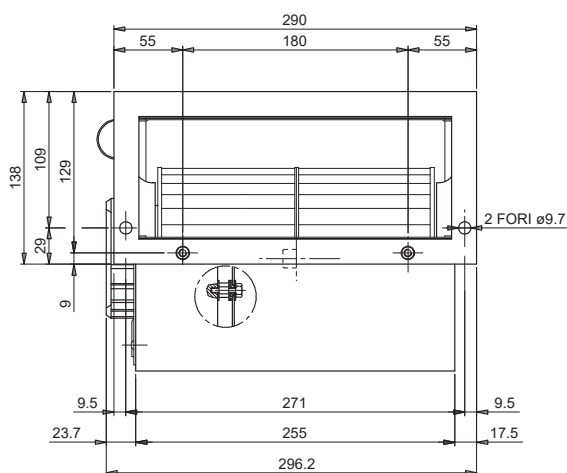


AXIAL CENTRIFUGAL FANS

Double inlet

NICOTRA | Gebhardt



W	POLES	V	μF	SPEED	m ³ /h	CODE
40	4	230	2	3	700	0403094

SMALL SIZE DOUBLE INLET DDM

MODEL	V	Hz	POLES	A	SPEED	W °C	TEMP.	IP	μF	m ³ /h EXPUL. mm	OPENING mm	PROF. mm	H mm	FLANGE	CODE
DDM 133/126	230	50/60	2	0,7	4	60	40	54	3,15	500	160X97	196	219	195X128	0403097
DDM 133/190	230	50/60	2	0,9	1	90	40	54	2,5	700	227X97	196	218	256X128	0403098
DDM 146/190	230	50/60	4	1,1	1	20	40	54	2	750	226X114	245	256	255X146	0403099