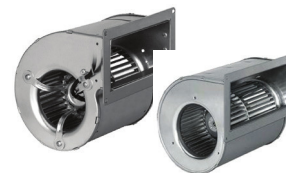


# CENTRIFUGAL FANS

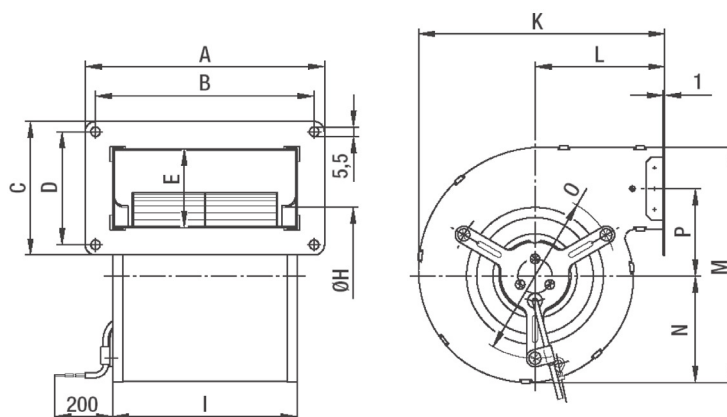
## D2E SERIES

Double inlet

ebmpapst



MODEL	A	B	C	D	E	H	I	K	L	M	N	O	P
D2E097BI5648	180	168	100	88	67	79,5	146	162	86	165	68	114	62,5
D2E097BK8002	180	168	100	88	68	79,5	146	162	86	165	68	114	62,5
D2E133CI3399	206	190	142	126	102	112	168	204	97	213	93	145	67,5
D2E133AM4723	254	238	108	92	69	112	215	171,5	88	180	79	145	66
D4E146AU6064	270	254	142	126	101	117	232	205	96	219	98	300	69



MODEL	V	Hz	m <sup>3</sup> /h	W ABS	A	rpm	CODE
D2E097BI5648	230	50/60	435	87	0.39	1950	0401276
D2E097BK8002	230	50/60	370	77	0.34	1750	0401277
D2E133CI3399	230	50/60	700	175	0.77	1700	0401278
D2E133AM4723	230	50/60	685	190	0.84	1500	0401279
D4E146AU6064 *	230	50/60	400	87	0.38	1280	0403095

\*5 speed version

DESCRIPTION:  
Double inlet, flanged centrifugal fans made of galvanised plating, single-phase power supply: installed mainly in convection fans, small

extractors, cooker hoods, small fan heaters, stoves and fireplaces.