

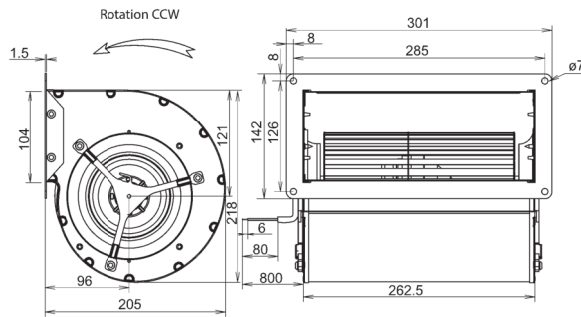
# CENTRIFUGAL FANS

## 4GDS F

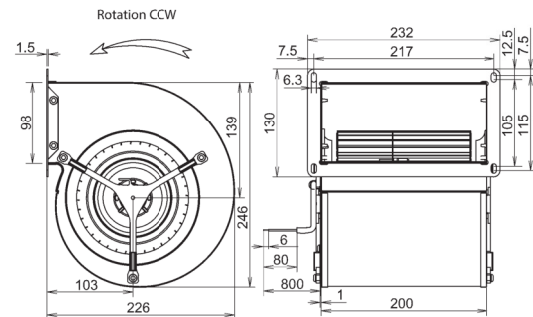
Double inlet Ecofit - 4 poles



4GDS 146x216L



4GDS 160

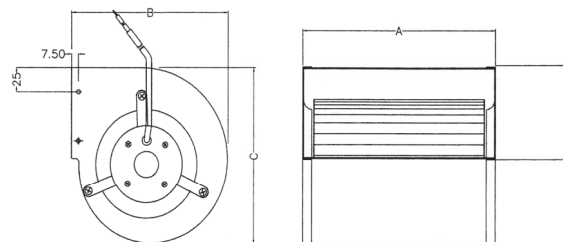
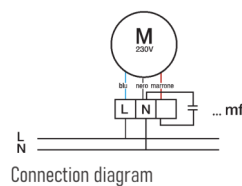


MODEL	V	Hz	A	W	μF	m <sup>3</sup> /h	Pa	rpm	dB(A)	CODE
4GDS25 146X180L-Z1822	230	50/60	0.50/0.59	112/135	2.5/2.5	850/800	148/220	1,175/1,095	52.0/51.0	0412106
4GDS25 146X216L-Z1823	230	50/60	0.36/0.42	82/96	2/2	750/750	145/1200	1,030/1,010	50.0/49.0	0412107
4GDS35 160X160L-Z1824	230	50/60	0.50/0.61	114/139	3/3	880/880	175/245	1,100/1,080	55.0/55.0	0412108

# CENTRIFUGAL FANS

## DOUBLE INLET

External rotor motor  
Flange included



A	B	C	D	V	μF	W	A	POLES	m <sup>3</sup> /h	Pa	CODE
168	202	211	100	230	6	178	0,63	2	720	400	0412101*
232	202	211	100	230	2	70	0,23	4	645	115	0412102
232	202	211	100	230	5	170	1,5	2	1070	450	0412104
232	226	238	88	230	10	290	1,3	2	1000	-	0412105

\*Fan available while stocks last