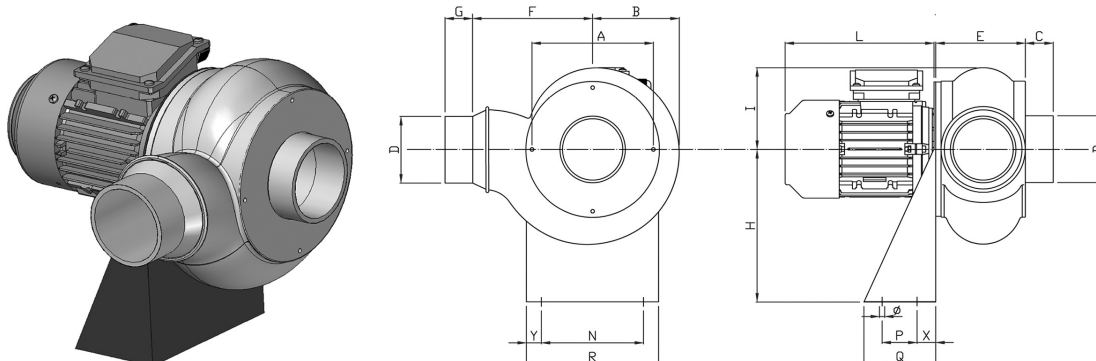


CENTRIFUGAL FANS

PCM SERIES

Radial Blades



TYPE	m ³ /h	MOT. Size	KW	rpm	A	B	C	D	E	F	G	h	I	L	n	p	q	r	y	x	Ø	kg
PCM 125/75	100	56	0.09	1400	139	100	30	75	105	122	30	172	98	170	117	40	82	155	19	22	10	5
	200	56	0.12	2800	139	100	30	75	105	122	30	172	98	170	117	40	82	155	19	22	10	5
PCM 150/90	200	56	0.09	1400	170	120	30	90	126	190	30	190	112	170	151	40	82	189	19	22	10	6
	350	56	0.12	2800	170	120	30	90	126	190	30	190	112	170	151	40	82	189	19	22	10	6
PCM 150/110	250	56	0.09	1400	170	120	30	110	126	150	30	190	112	170	151	40	82	189	19	22	10	6.5
	500	56	0.12	2800	170	120	30	110	126	150	30	190	112	170	151	40	82	189	19	22	10	6.5

TYPE	SINGLE-PHASE		THREE-PHASE	
	CODE	€	CODE	
PCM 125-2/75	0412024	490,00	0412030	
PCM 125-4/75	0412025	490,00	0412031	
PCM 150-2/90	0412026	550,00	0412032	
PCM 150-4/90	0412027	550,00	0412033	
PCM 150-2/110	0412028	590,00	0412034	
PCM 150-4/110	0412029	590,00	0412035	

DESCRIPTION

Single-intake, PE moulded scroll housing fans - PP moulded impeller
 - motor support in powder coated steel plating - stainless steel fixings
 ATEX version also available

Always choose the orientation when ordering.

NOTE: Standard orientation LG270