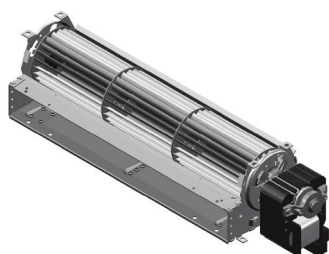


SPARES FOR PELLET STOVES AND FIREPLACES



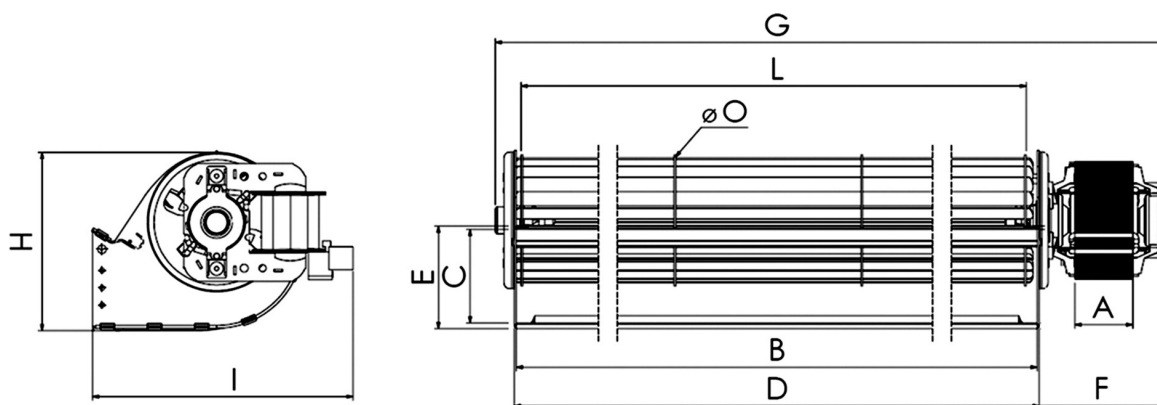
Tangential Fans



MODEL TAS



MODEL THS



MODEL TRIAL	rpm	W	m ³ /h	B	C	F	G	H	I	MOTOR VIEW OPENING SIDE	CODE
TAS18B-201	2000	38	185	180	35	52	232	83	111	LEFT	0402344
TAS27B-087	1140	33	165	270	35	53	323	122	96	RIGHT	0402345
TAS30B-034	1550	43	270	300	35	66	366	104	96	RIGHT	0402346
TAS48B-020	1470	58	460	480	35	76	556	83	126	RIGHT	0402347
THS18B6-026	2200	38	200	180	35	67	247	121	96	RIGHT	0402348
THS24B5-014	1300	50	200	240	35	56	296	127	110	RIGHT	0402349
THS27B6-011	1700	43	260	270	35	67	337	121	96	RIGHT	0402350
THS30B5-043	2000	65	370	300	35	67	367	127	110	LEFT	0402351
THS36B5-018	1200	68	350	360	35	76	436	127	110	RIGHT	0402352

By request an even wider range for pellet stoves