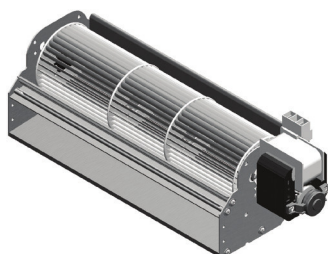


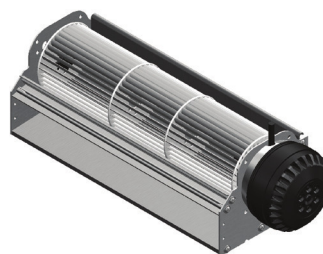
SPARES FOR PELLET STOVES AND FIREPLACES



Tangential Fans



8A130B-001 motor on right



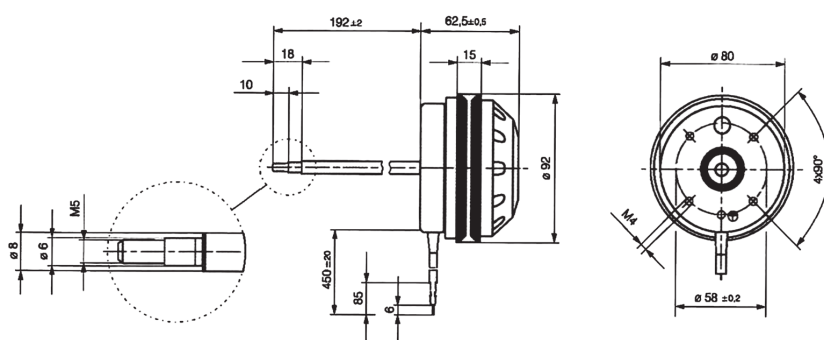
8AR30C-005 motor on right

MODEL TRIAL	LENGTH FAN	rpm	W	m ³ /h	OPENING	FAN	LENGTH TOT.	HEIGHT	WIDTH	CODE
8A130B-001	304	1000	64	255	307X43	304	385	143	123	0402337
8AR30C-005	304	1330	44	500	307X43	304	375	113	129	0402355

SPARE MOTOR

For tangential fans

ebmpapst



V	HZ	rpm	wo	wa	kg	CODE
230	50/60	1200	5.8	28	1.1	0402274

STIRRER FOR LIQUIDS AND MOTORS FOR TANGENTIAL FANS
Single-phase, external rotor, 230V 50 Hz motors for special applications,

liquid stirrers, and tangential fans.
By request an even wider range for pellet stoves