

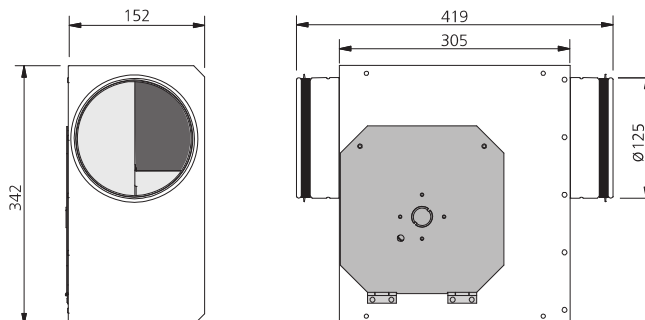
# VENTILATING BOXES WITH CIRCULAR DUCT

*Slim profile LPK B 125 C1 AC*

**ÖSTBERG**  
HEALTHY INDOOR CLIMATE  
WITH ENERGY EFFICIENT VENTILATION



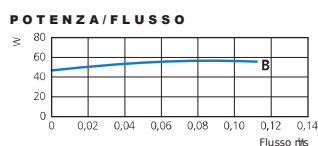
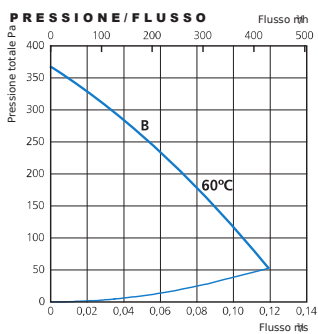
## DIMENSIONI (mm)



## TECHNICAL DATA

LPKB	V/Hz	A	W	rpm	kg	µF	INSUL. CLASS MOTOR	PROTEC. MOTOR	CODE
125	230/50	0,26	59	2570	5,2	2	F	IP 44	0411914

## LPKB 125 B

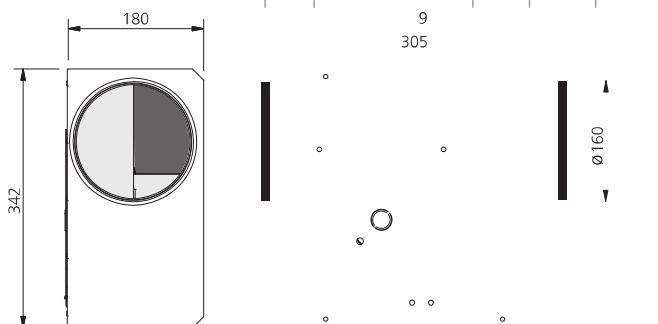


## ACOUSTIC DATA

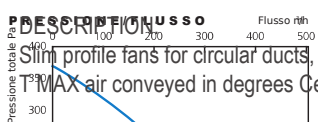
LPKB 125 B, 75 l/s 180 Pa

	L <sub>pA</sub>	L <sub>wA</sub>	L <sub>wA</sub> tot dB (A)	63	125	250	500	1K	2K	4K	8K
AMBIENT	47	54	54	33	37	50	51	46	41	35	31
INTAKE		69	69	51	60	63	66	53	57	51	46
OUTLET		71	71	56	60	64	67	64	59	56	48

## DIMENSIONI (mm)



## LPK 160 K



250

