

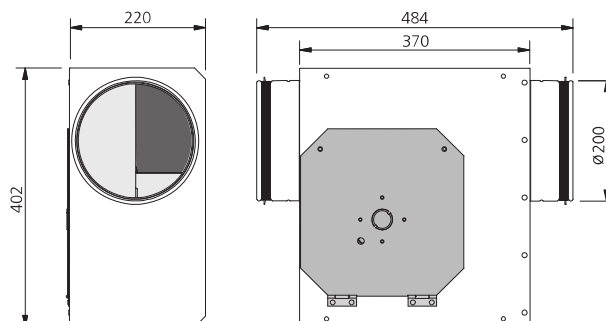
VENTILATING BOXES WITH CIRCULAR DUCT

Slim profile LPK B 200 C1 ERP

ÖSTBERG
HEALTHY INDOOR CLIMATE
WITH ENERGY EFFICIENT VENTILATION



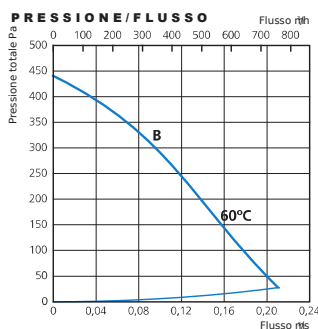
DIMENSIONI (mm)



TECHNICAL DATA

LPKB	V/Hz	A	W	rpm	kg	DIAGRAM electrical	µF motor	INSUL. CLASS motor	PROTEC.	CODE
200	230/50	0,67	153	2490	8,4	4040140	5	F	IP 44	0411916

LPKB 200 B

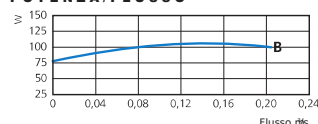


ACOUSTIC DATA

LPKB 200 B, 120 l/s 250 Pa

	L_{pA}	L_{WA}	$tot dB(A)$	63	125	250	500	1K	2K	4K	8K
AMBIENT	58	65	63	34	47	62	61	53	48	42	36
INTAKE		78	66	65	74	76	65	63	60	57	
OUTLET		82	65	69	77	79	71	70	66	63	

POTENZA/FLUSSO



DESCRIPTION:

Slim profile fans for ducts, with blades curved backwards, and removable impeller.
T MAX air conveyed in degrees Centigrade = 70 .