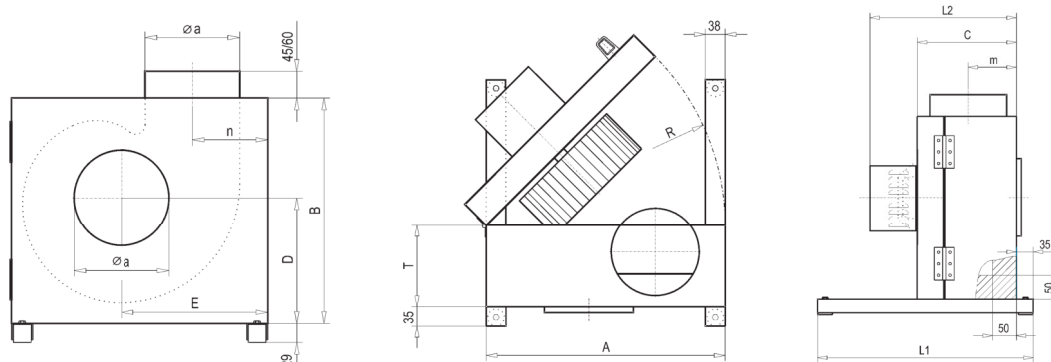
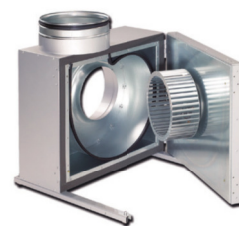


FANS FOR COOKER HOODS

rosenberg
THE AIR MOVEMENT GROUP



Ø CONNECTION CIRCULAR	V	POLES	m ³ /h*	A	B	C	D	E	L1	R	T	ØA	M	N	L2	CODE
200	230V	4	1600	470	412	221	230	269	450	470	161	200	106.5	134.4	362	KBAE200-4
200	380V	4	1600													KBAD200-4
180	230V	4	1300	510	445	232	249	292	450	510	174	200	113	142.7	373	KBAE180-4
180	380V	4	1200													KBAD180-4
225	230V	4	2200	522	455	251	256	301	600	522	193	225	122.5	146.5	413	KBAE225-4
225	380V	4	2200													KBAD225-4
250	230V	4	3500	576	500	272	282	333	600	576	213	250	132.5	161.5	461	KBAE250-4
250	380V	4	3600													KBAD250-4
280	230V	4	4400	625	537	291	295	360	600	625	234	280	142.5	171.5	480	KBAE280-4
280	380V	4	4400													KBAD280-4
315	380V	2	4300	690	600	307	339	398	800	690	249	315	153.5	187.5	448	KBAD315-2
315	230V	4	2100												496	KBAE315-4
315	380V	4	2100												496	KBAD315-4
355	380V	2	6000	770	655	331	372	451	800	770	273	355	162.5	206.5	472	KBAD355-2
355	230V	4	3000												520	KBAE355-4
355	380V	4	3000												520	KBAD355-4
400	230V	4	3400	770	655	331	372	451	800	770	273	355	162.5	206.5	520	KBAE400-4
400	380V	4	3400												492	KBAD400-4

* with clear discharge

APPLICATIONS

These ventilating boxes are designed to handle low or medium flow rates, and can be used wherever dirty air, saturated with grease or fluids and heated up to 100°C has to be extracted. Typical fields of use include canteens and industrial kitchens,

CONSTRUCTION CHARACTERISTICS:

The double clad guard is made of painted galvanised steel plating, lined in the inside with condensate-resistant, fireproof, and soundproof rock wool. The ventilation unit allows extremely simple access to all the components, guaranteeing quick, efficient cleaning of all parts of the ventilation unit. The motors are Rosenberg external rotor type with protection level IP54.