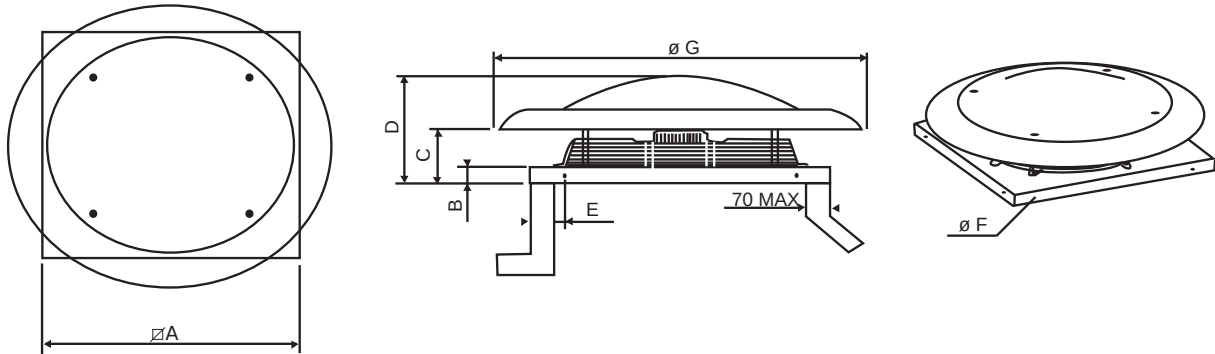
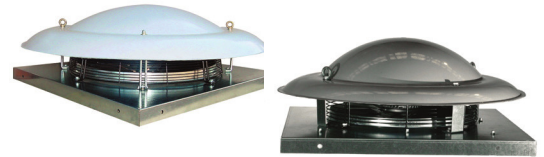


HELICOIDAL TOWER

TOP Series



MODEL	V	rpm	KW	m ³ /h	LPA dB MAX m ³ /h	kg (A)	A	B	C	D	E	F	G	CODE
TE 040 4-4	400	1319	0,28	4400	48	17	660	45	138	300	100	12	710	0401270
	400	1060	0,18	3580	47									
TE 050 4-4	400	1290	0,66	7450	55	25	760	50	160	345	100	12	875	0401271
	400	1000	0,43	5900	52.9									
TE 063 4-4	400	1400	1,75	14700	65	34	890	50	185	362	100	12	1120	0401272
	400	1224	1,35	13350	64									
TE 071 6-6	400	852	0,86	14000	63	47	950	50	155	409	100	12	1300	0401273
	400	650	0,45	10900	61									
TE 080 6-6	400	892	2,10	23600	63	62	1230	50	313	518	185	12	1300	0401274
	400	718	1,41	19300	62									
TE 100 8-8	400	721	2,01	30330	65	90	1400	50	355	600	170	12	1600	0401275
	400	606	1,74	27350	64									

DESCRIPTION:

Low head Helicoidal Tower, two-speed, compact, and particularly silent.