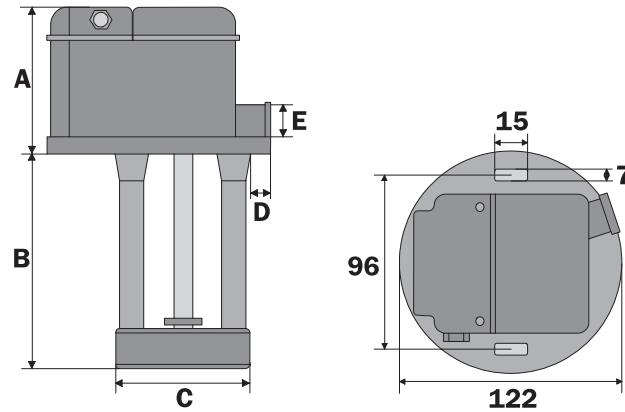


CENTRIFUGAL MOTOR-DRIVEN PUMPS SERIES SA

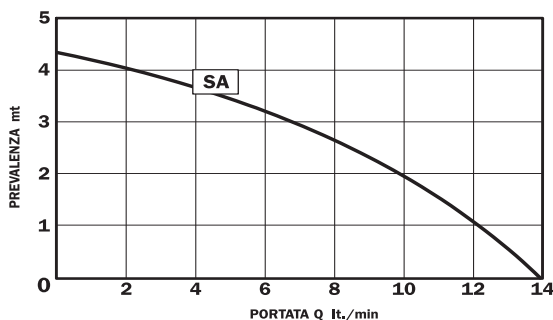
Single-phase shaded-pole motor



TYPE	VOLT/HZ	KW	A	B	C	ØD	E GAS	CODE	€
SA	220/400 Hz. 50	0.06	82	60	75	8	3/8	0504000	53.55
				85				0504001	
				120				0504002	
				150				0504003	

Packs containing individual pieces, measurements in mm

HYDRAULIC CHARACTERISTICS:



V.230	V.400
● 230 ←	○ 230
● 0 ←	● 0 ←
○ 400	● 400 ←

From three-phase lines, it is necessary to take only two wires:

230V three-phase line connect between 0 - 230

400V three-phase line connect between 0 - 400

GENERAL CHARACTERISTICS:

Designed for the circulation of refrigerant liquids in general, their main characteristic is the significant simplicity of construction.

The external structure is made of thermoplastic material that is non-inflammable (VDE 0730 standard), the bearings are double shielded, the shaft is in stainless steel, and the pump body is watertight.

CONSTRUCTION CHARACTERISTICS:

- Electric pump, specific for machine tools with immersed dip tube without seal rings.
- Single-phase shaded-pole motor
- Windings in CL "F"

- Motor shaft in AISI 303 stainless steel
- NSK long-life bearings
- IP 54 grade protection against liquid penetration
- All thermoplastic parts of the motor are non-flammable in compliance with standards VDE 0730 and UL 94.

NOTES AND VARIOUS WARNINGS:

- It is possible to provide motors with voltages and frequencies based on the client's specific needs.