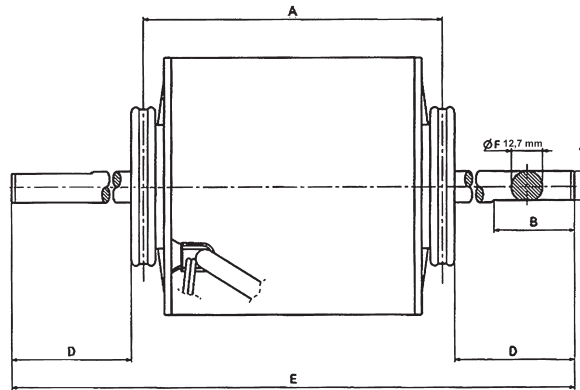
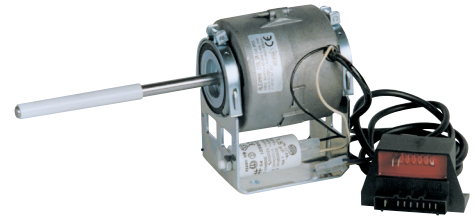


MOTORS FOR CONVECTION FANS

Round Motors



N° SHAFTS	W	A	rpm	µF	A mm	C mm	D mm	E mm	ROTATION	CODE	€
1	35	0,40	930	1,50	97	12,7	215	321	RIGHT	0402042	110,00
1	35	0,40	930	1,50	97	12,7	215	321	LEFT	0402000	88,00
1	35	0,40	930	1,50	98.4	12,7	165	271	RIGHT	0402045	109,50
1	35	0,40	930	1,50	98.4	12,7	165	271	LEFT	0402046	88,00
2	35	0,40	930	1,50	97	12,7	215	536		0402041	94,00
2	50	0,46	960	3,15	110	12,7	215	550		0402013	128,63

Single-phase 4-pole 230V Motors 50/60Hz. 1/7 speed
Complete with bracket, clamps, capacitor and impedance/
transformer.

ACCESSORY - CONNECTION CABLE 6-SPEED

suitable for connecting from the fan's transformer or the existing plant's motor. Halves motor installation times because it can be directly connected to the existing electrical plant. Suitable for transforming all types of single and multi-speed fans/motors (along with the self-transformer)



CODE	€
0402931	12,00

CAP* for shaft adaptation
FROM 9,52 TO 12,7 MM

CODE	€
0402932	4,00

The wiring diagrams can be seen on pages 226-227