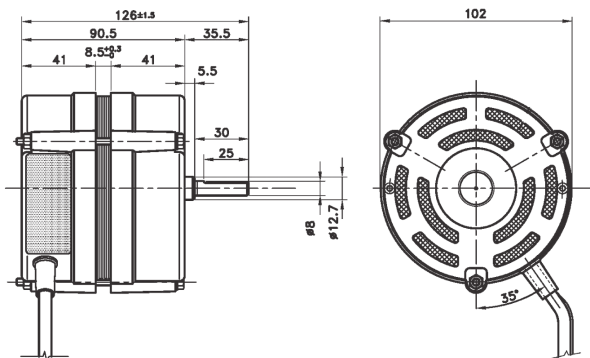


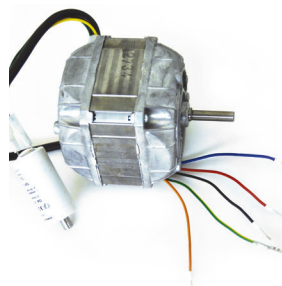
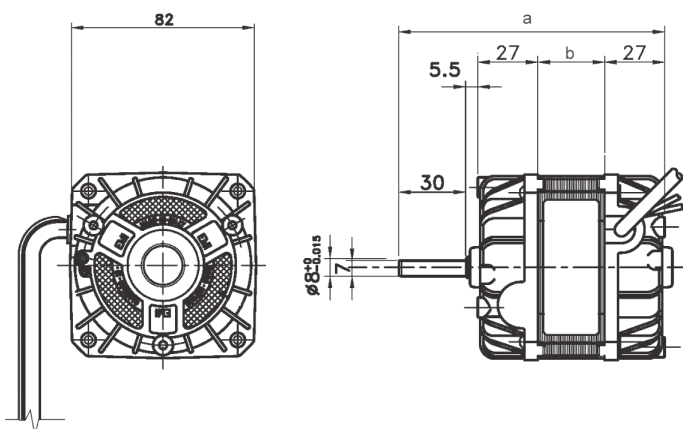
MOTORS FOR TANGENTIAL FANS



CODE 0402404 - 0402405

M	BLUE	COMMON
	BLACK	MAX SPEED
	ORANGE	MED. SPEED
	RED	MIN SPEED
	YELLOW	
	GREEN	

MODEL	V/HZ	rpm	W	A	μF	N° SPEEDS	DIR. OF ROTATION SHAFT SIDE VIEW	CODE
103M-3030/01	230/50	1100	30/85	0.35	1.5	3	CLOCKWISE DX	0402404
103M-3030/1	230/50	1100	30/85	0.35	1.5	3	ANTICLOCKWISE SX	0402405



CODE 0402406 - 0402407

M	BLUE	COMMON
	BLACK	MAX SPEED
	ORANGE	MED. SPEED
	RED	MIN SPEED
	YELLOW	
	GREEN	

MODEL	V/HZ	rpm	W	A	μF	N° SPEEDS	A	B	DIR. OF ROTATION SHAFT SIDE VIEW	CODE
83M-3-3010/01	230/50	1100	10/40	0.16	1.5	3	122	30	CLOCKWISE DX	0402406
83M-3-3010/1	230/50	1100	10/40	0.16	1.5	3	122	30	ANTICLOCKWISE SX	0402407

DESCRIPTION:

Motors for tangential fans, clockwise and anticlockwise rotation, various sizes and power ratings