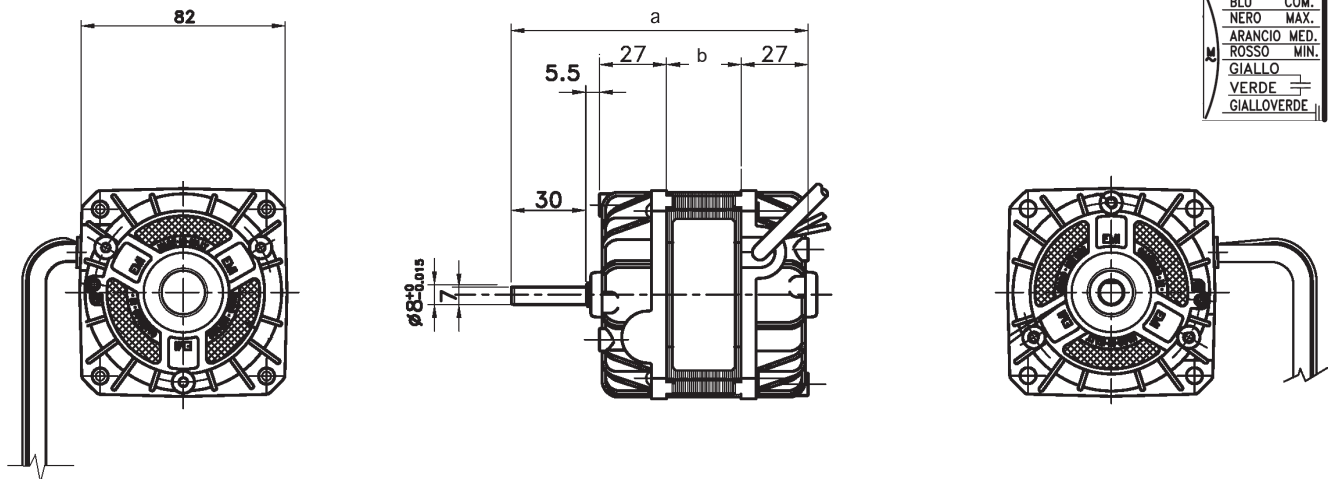


MOTORS FOR TANGENTIAL FANS

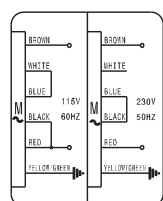
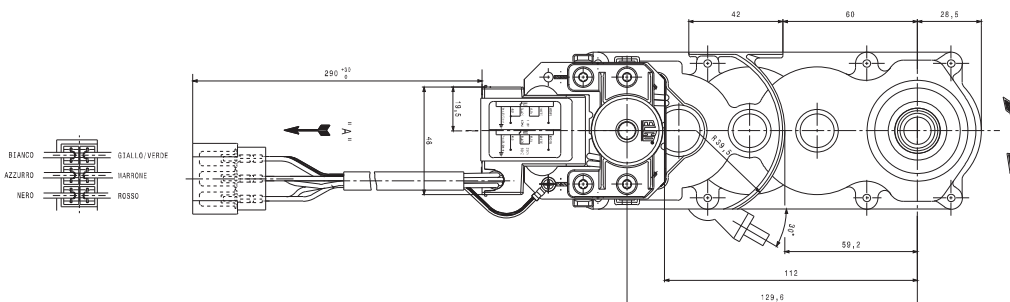
MT Series



Model	V/HZ	rpm	W	A	μ F	N° Speeds	a	b	ROTATION	CODE
83M-3-4020/01	230/50	1100	25/70	0.27	2	3	138	40	Clockwise DX	0402412
83M-3-4015/1	230/50	1100	15/55	0.20	1.25	3	138	40	Anticlockwise SX	0402413

GEAR-MOTOR

ELCO®



V	HZ	AMP	WATT	NOISE LEVEL	CODE
115/230V	50	1,4/0,7 A	70	50 DB	Z000240

APPLICATIONS:
Gear-motor for bar or restaurant machinery such as ice cream and sorbet machines.

DATA PLATE DETAILS:
Power supply 115/230V,
at 50 Hz 70 W and 32 rpm,
at 60 Hz 60 W and 38 rpm, Noise level <50 dB