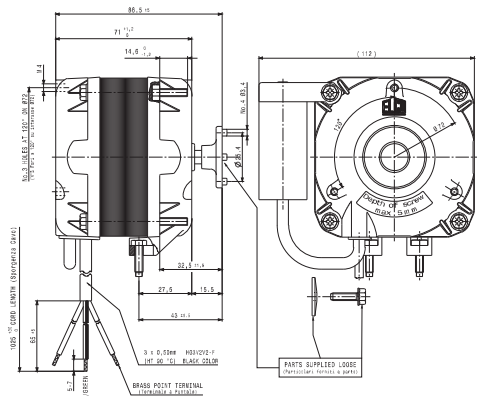


# UNIVERSAL MOTOR FOR REFRIGERATION

2-pole, with capacitor



| W OUTPUT | W ABS. | m <sup>3</sup> /h | rpm  | A     | V        | CODE    |
|----------|--------|-------------------|------|-------|----------|---------|
| 16       | 62     | 2                 | 2600 | 0,27A | 230/240V | Z000230 |

### DESCRIPTION

2-pole motor with capacitor, 18/62 Watt, 230/240V, 50/60 Hz 0.27 Amp, 2.600 rpm, capacitor 2 µf, class B

### USES

Refrigerated counters, refrigeration circuit evaporators, cooling circuits for industrial machines, and condensation circuits.

# PENTAVALENT MOTORS ELECTRIC FANS

With suction action



| W OUTPUT | W ABS. | Ø FAN | MOTOR CODE | BRACKET CODE | FAN CODE | CODE    |
|----------|--------|-------|------------|--------------|----------|---------|
| 5        | 32     | 200   | Z000201    | 26175000     | 21120004 | 0401001 |
| 10       | 38     | 254   | Z000202    | 26186000     | 21125004 | 0401002 |
| 16       | 65     | 300   | Z000203    | 26111000     | 21130004 | 0401003 |
| 25       | 95     | 300   | Z000205    | 26111000     | 21130004 | 0401005 |
| 34       | 120    | 300   | Z000225    | 26111000     | 21130004 | 0401025 |

Pack of 3 items. - Also available in energy saving versions. Complete with Fan, Bracket, and Motor.

### GENERAL CHARACTERISTICS:

Single-phase induction motor, 4 shielded poles, 230/240 Volt 50/60 Hz, class B insulation, and IP42 motor protection. They are protected by impedance trip switches or thermal contact inserted in the motor's windings.

The working temperature is between -30°C and +40°C - three-pole output cable 500 mm long.

These motors are widely used in the refrigeration and ventilation sector and are suitable for working in a horizontal and vertical position.