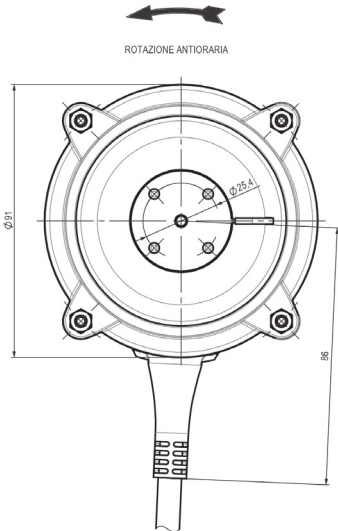


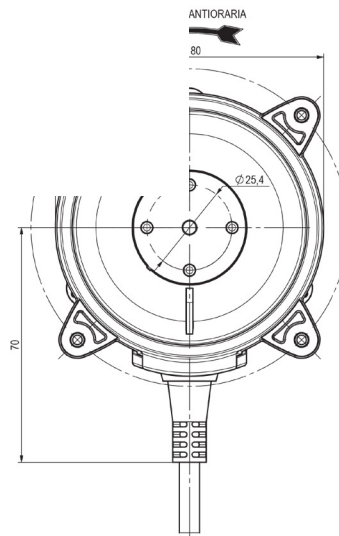
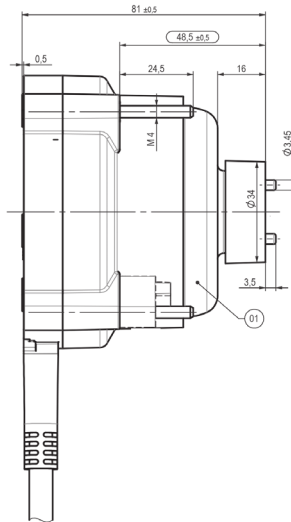
ELECTRONIC PENTAVALENT MOTORS



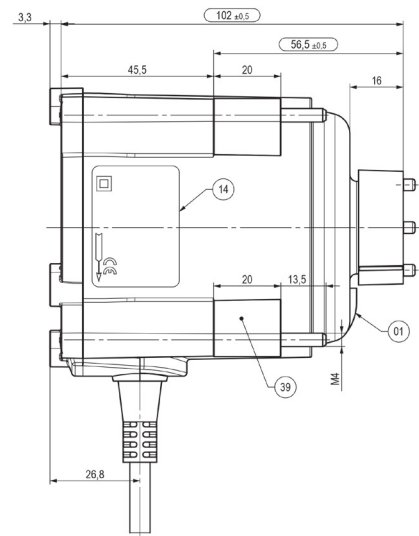
ECM



Z000252 ECM12



Z000253 ECM20



W IN	PROTECTION	INSULATION CLASS	SUPPORTS	DURATION AT 20°	rpm (115-127V)	rpm (230-240V)	CODE
9 - 14	IP 65	B	BEARINGS	60000 HOURS	1450	1400	Z000252
					1550	1600	
					1850	1850	
20 - 25	IP 65	B	BEARINGS	60000 HOURS	1450	1400	Z000253*
					1550	1600	
					1850	1850	

*While stocks last

ONLY THE MOTOR IS SUPPLIED

TECHNICAL FEATURES:

- Working temperature -40°C to +55°C
- Power supply 100V / 50-60HZ
- 115-127V / 50-60HZ
- 230-240V / 50-60HZ

MECHANICAL SEALS

PUMPS

FANS

MOTORS

INSULATION

EQUIPMENT

MOTOR SPARES

TOOL SPARES

SWITCHES