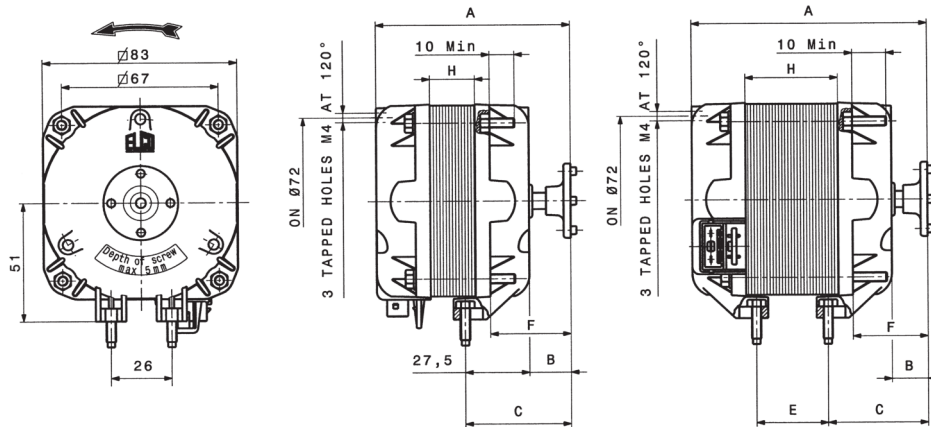
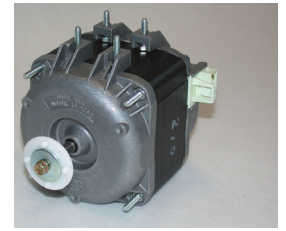


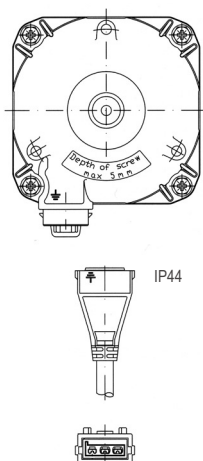
# PENTAVALENT MOTORS

## PLUG-IN

T4 Series



Description	W out	W in	A	F	H	Amp	rpm	CODE
MOTOR VN 5-13	5	32	80	38	13	0,20	1300/1500	Z000206
MOTOR VN 10-20	10	38	87	38	20	0,23	1300/1500	Z000207
MOTOR VN 16-25	16	65	92	38	25	0,45	1300/1500	Z000208
MOTOR VN 25-40	25	95	112	42	40	0,68	1300/1500	Z000209
MOTOR VN 34-45	34	120	119	45	45	0,87	1300/1500	Z000210



### THREE-POLE CABLE WITH CONNECTOR

LENGTH mm	SECTION mm <sup>2</sup>	CODE
500	0,75	Z000216
1000	0,75	Z000217
1500	0,75	Z000218
2000	0,75	Z000219

#### TECHNICAL FEATURES:

- Single-phase motors with 4 shielded poles, working at a nominal voltage of 230-240V~, 50-60 Hz and a power rating of ~5 to ~34Watt.
- Motor insulation class B.
- Protection with the rotor stopped by trip switch protector.
- Motor shaft support with self-lubricating, self-aligning bushings.

- The main characteristic is that they have a connector for mobile connection to the power supply cable.
- Can be installed horizontally or vertically.
- Anticlockwise rotation seen from the shaft side.
- Continuous working at AMBIENT temperatures of -40°C to +40°C