

# MOTORS FOR CONVECTION FANS

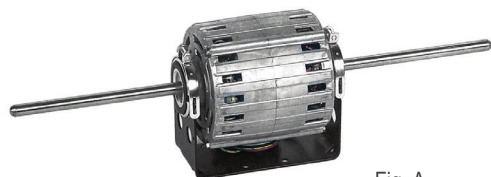
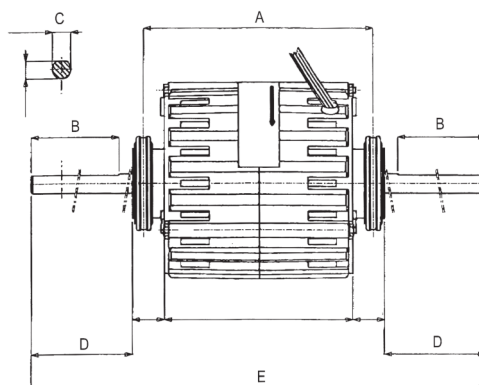


Fig. A



Fig. B



N° SHAFTS	V	A	HZ	W	rpm	μF	A mm	B mm	C mm	D mm	E mm	Poles	FIG.	MODEL	ROT.	CODE
1	220/240	0.25	50/60	75	1300	1,5	111	47	12.7	135	258	4	-	C010101	SX	0403061
1	220/240	0.9	50	40	1150	2	111	80	12.7	180	301	4	-	11009706	DX	0403062
2	230	0,51	50	42	1150	2,5	111	100	12.7	214	550	4	A	FAET0402087		0402087
2	230	0,50	50	18	900	2	111	100	12,7	214	550	6	A	FAET0402086		0402086
2	230	0,85	50	73	1300	4	111	100	12.7	249	620	4	A	FAET0402089		0402089
2	230	1,10	50	80	1100	4	131	80	12.7	210	555	4	-	104B4080/1Q		0403065 ▲
2	220	1,5	50	147	650/900	5	141,4	100	12,7	189,3	520	6	A	110063.23		0402007
2	230	2,48	50	184	880	5	157	100	12,7	175	520	6	A	11006219		0402017
2	230	1,8	50	184	1380	6	130	100	12,7	188	520	4	A	11033600		0402040
2	230	2.0	50	184	1300	6	130	100	12.7	205	550	4	A	FAET0402088		0402088 ▲
2	230	4,8	50	600	1310	16/20	197	100	12,7	170	550	4	-	11034501		0402069*
2	230	1,5	50	147	1250	5	130	100	12,7	190	520	4	A	11015309		0403060
2	220/240	0.5	50	13	870	1.5	111	100	12.7	164	450	6	A	C014300		0403064

\*Bracket not available - ▲ 5-speed version

Single-phase induction motor  
-220 Volt - 3-speed  
with permanent capacitor built in.

TECHNICAL FEATURES:  
Class B insulation with trip switch protection.  
Working temperature between -30° and +40°C. Aluminium casing.

The wiring diagrams can be seen on pages 226-227